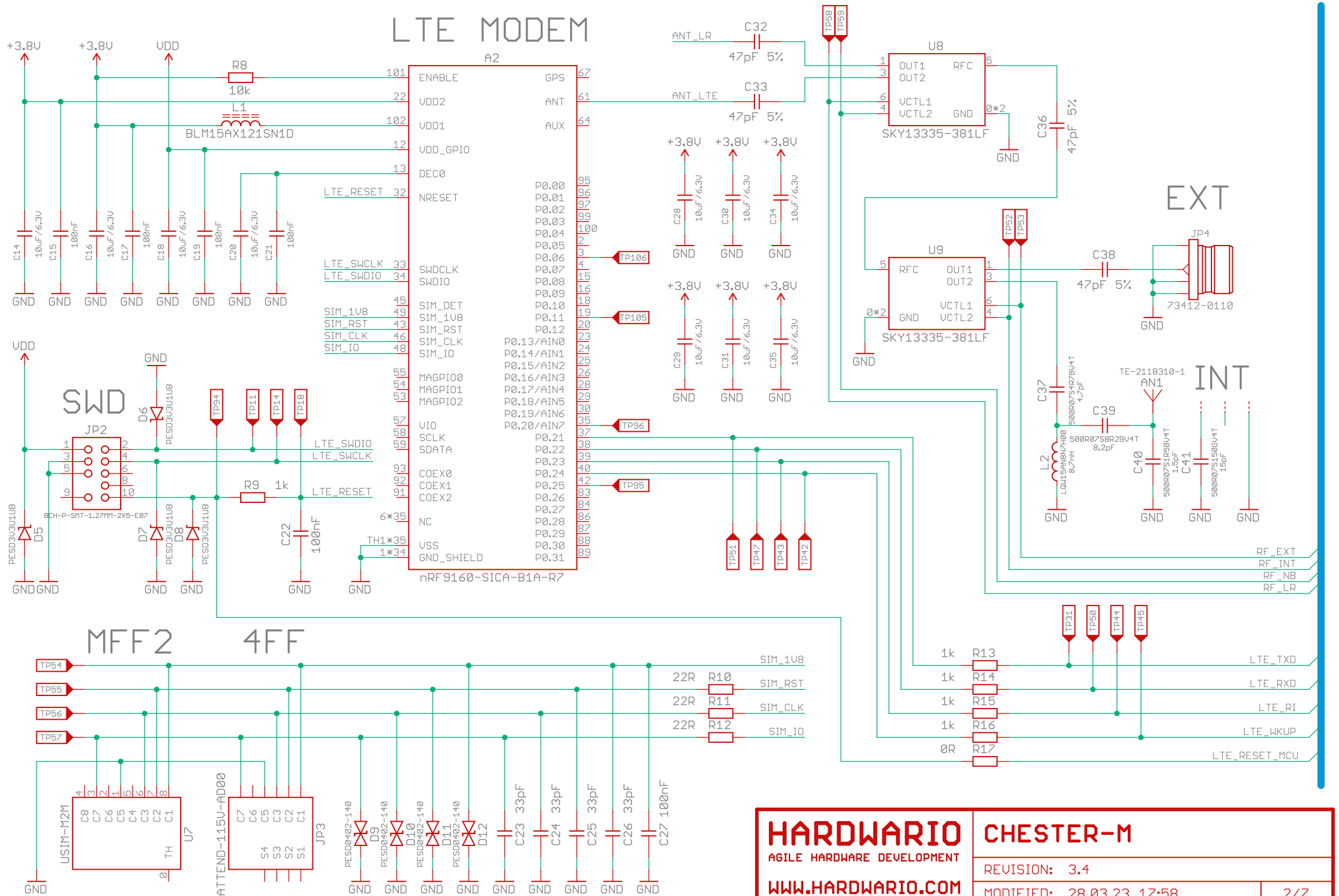


HARDWARIO AGILE HARDWARE DEVELOPMENT WWW.HARDWARIO.COM	CHESTER-M	
	REVISION: 3.4	
	MODIFIED: 28.03.23 17:58	

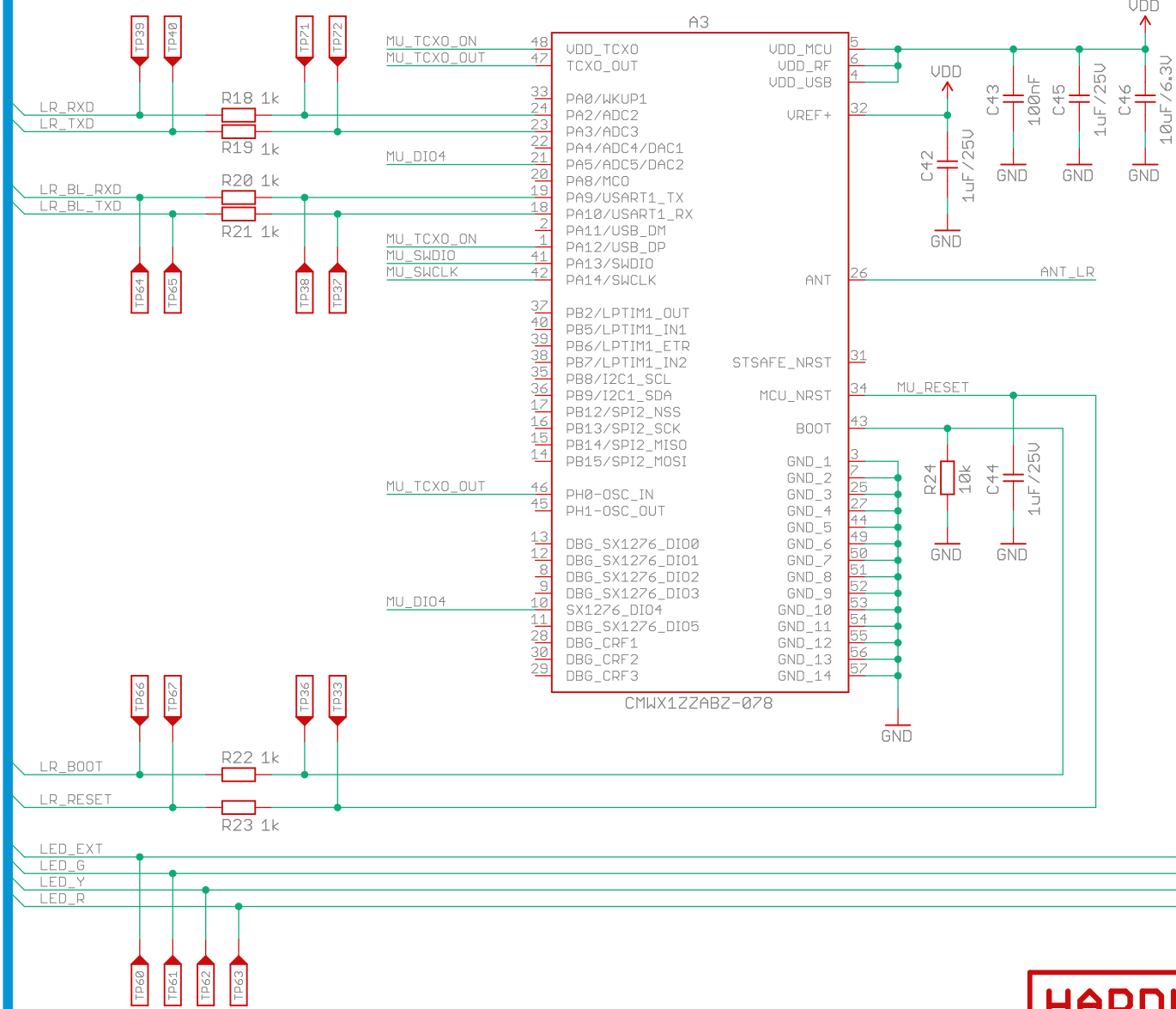
1/7

LTE MODEM

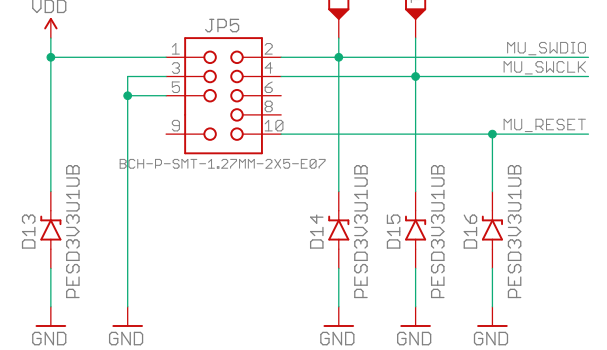


HARDWARIO AGILE HARDWARE DEVELOPMENT WWW.HARDWARIO.COM	CHESTER-M	
	REVISION: 3.4	
	MODIFIED: 28.03.23 17:58	2/7

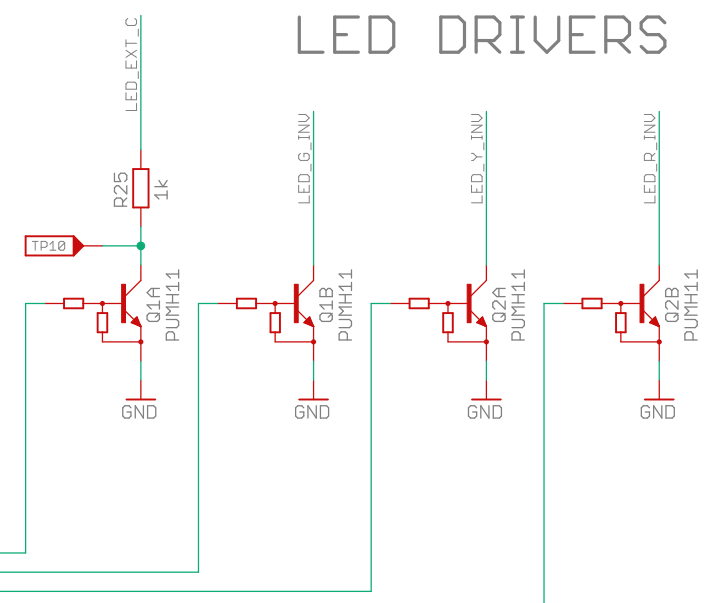
LORA MODEM



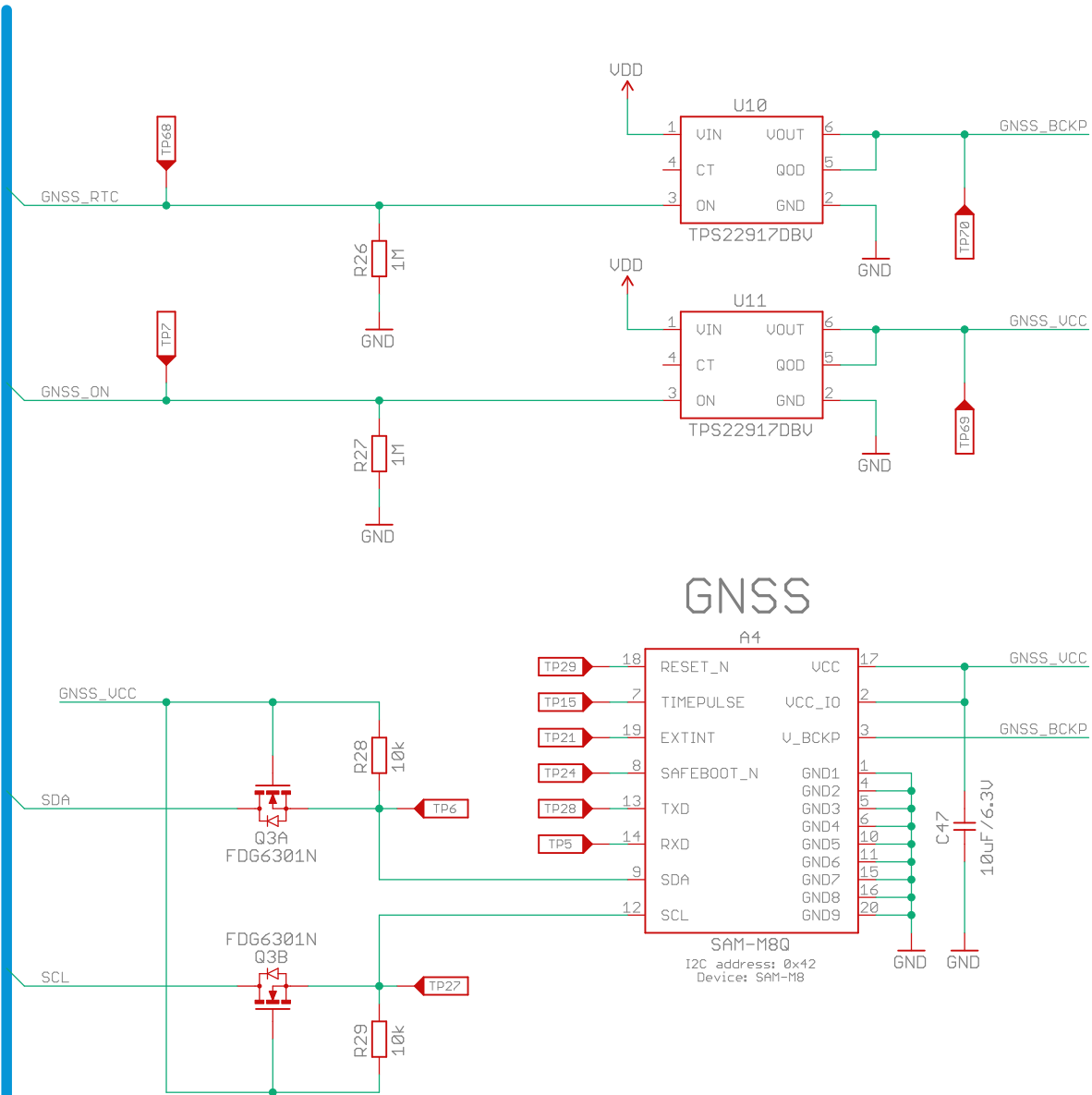
SWD



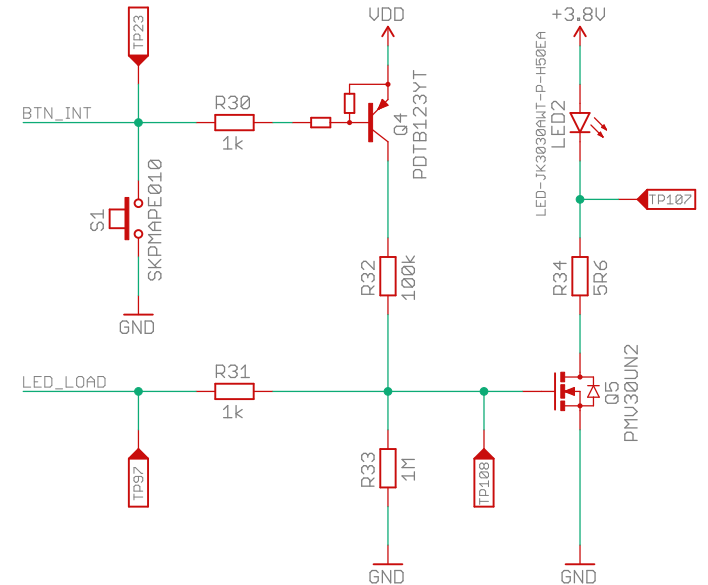
LED DRIVERS

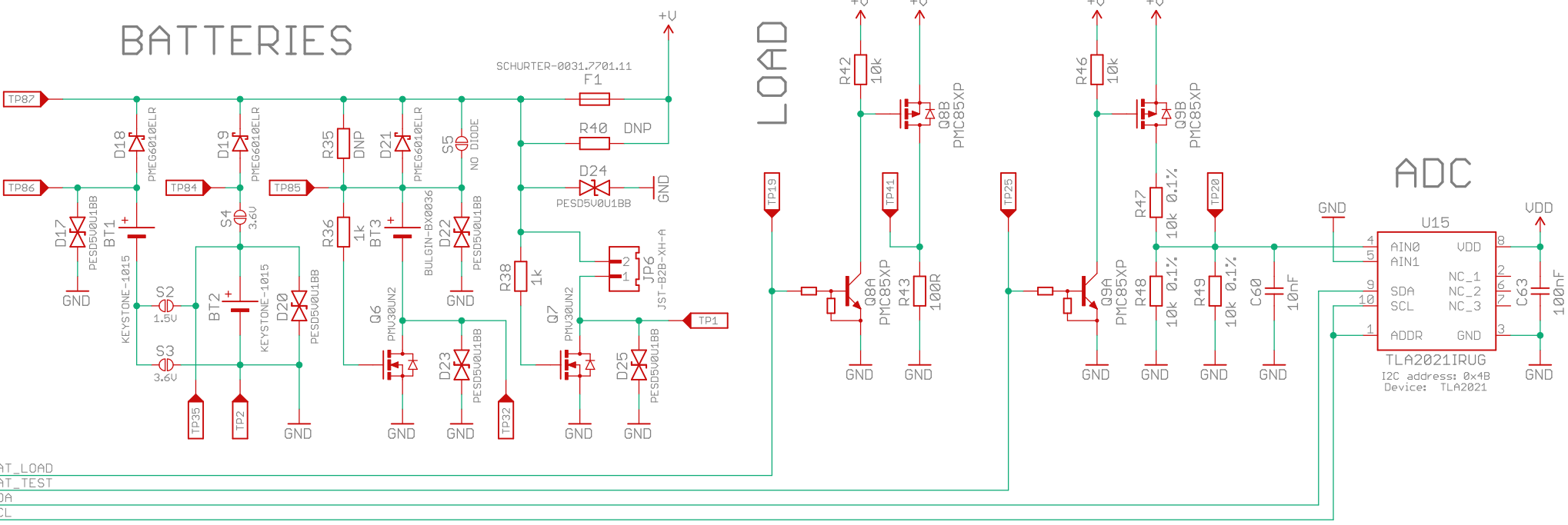
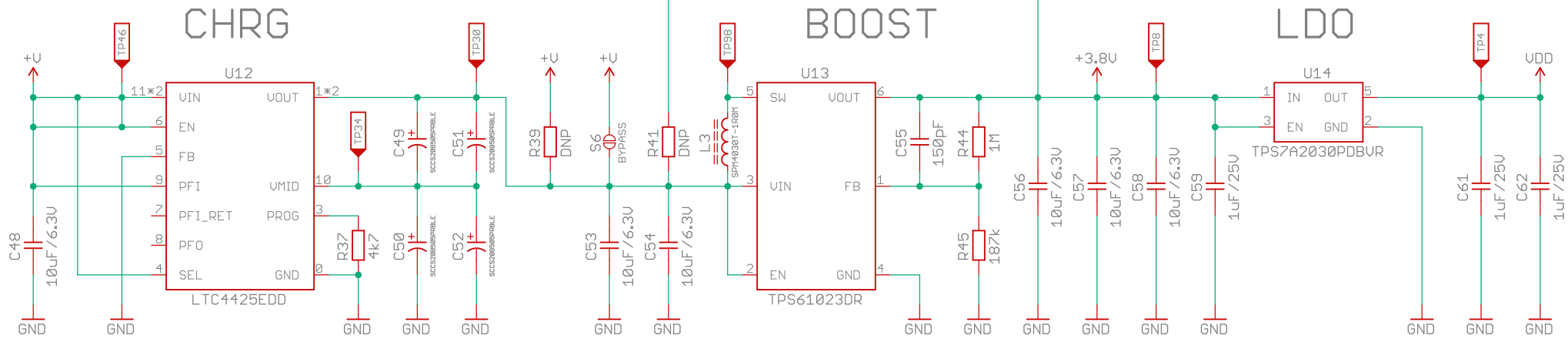


HARDWARIO AGILE HARDWARE DEVELOPMENT WWW.HARDWARIO.COM	CHESTER-M	
	REVISION: 3.4	
	MODIFIED: 28.03.23 17:58	3/7



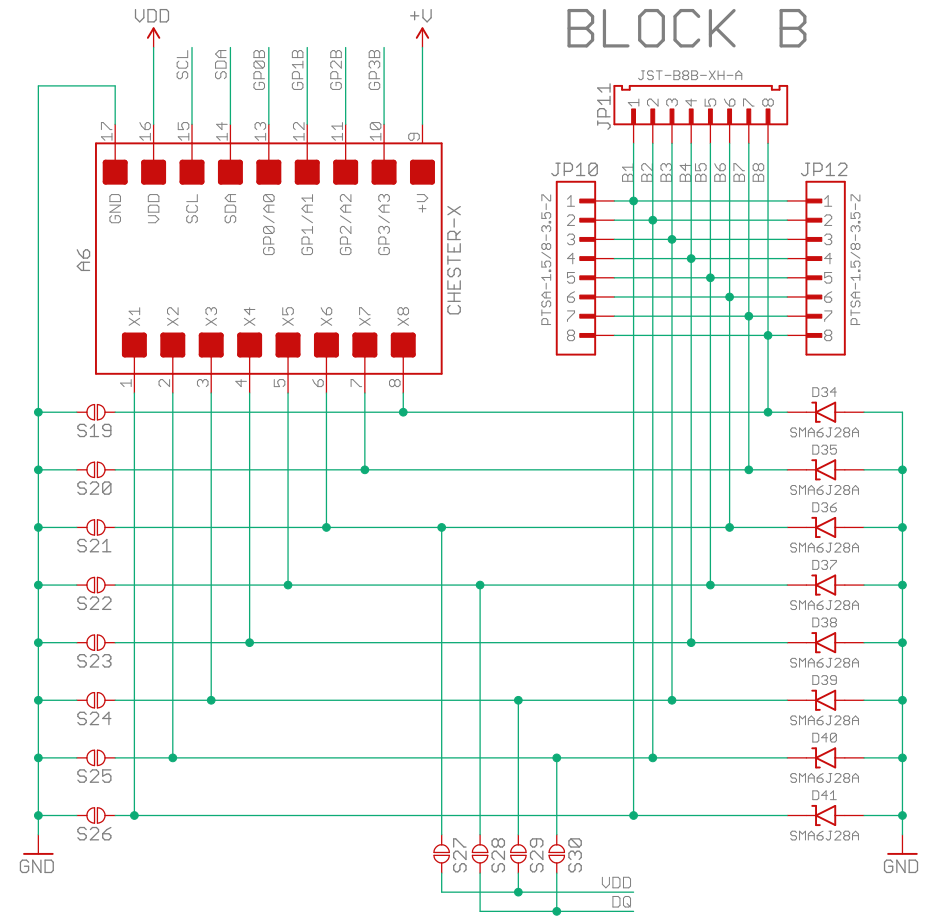
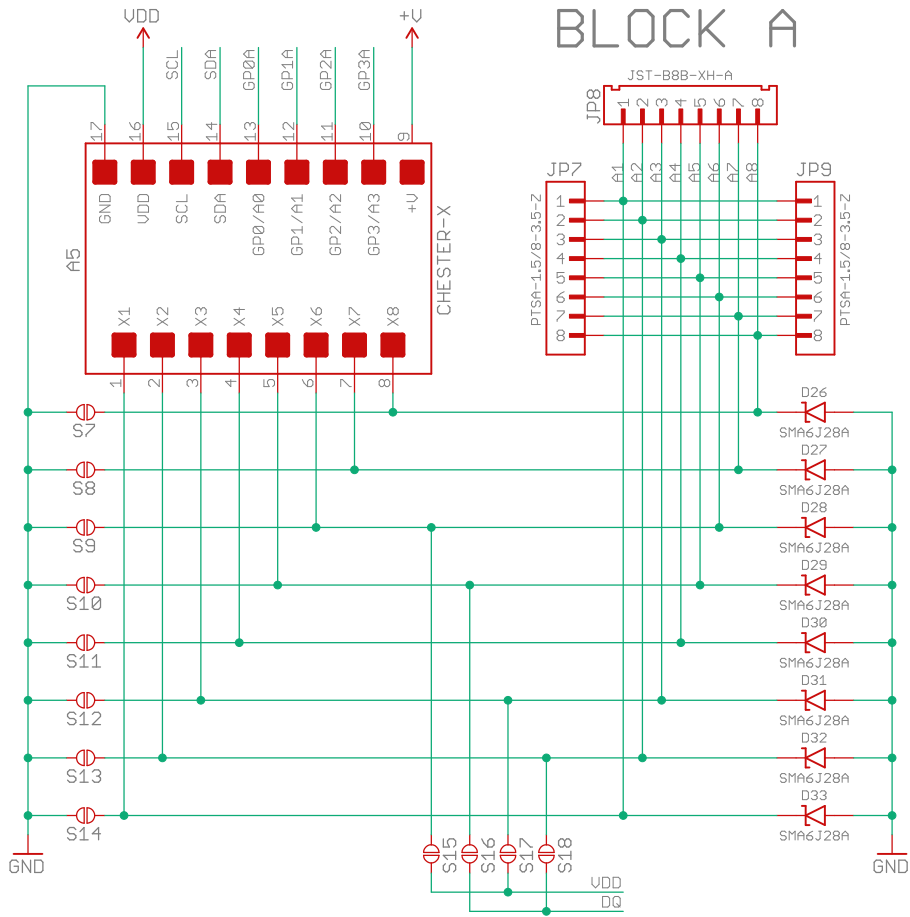
BUTTON / LED LOAD



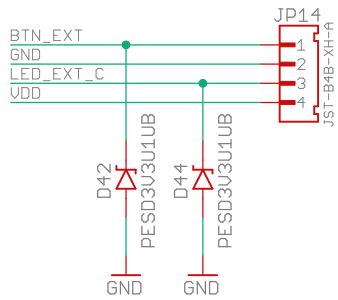


BAT_LOAD
BAT_TEST
SDA
SCL

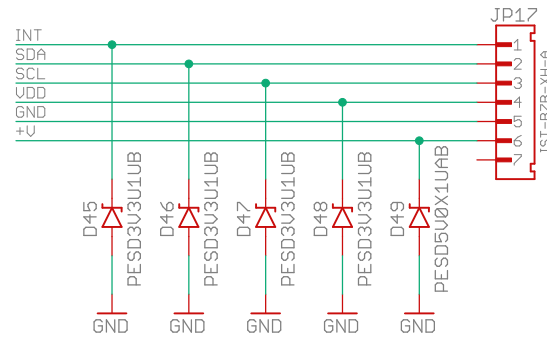
HARDWARIO AGILE HARDWARE DEVELOPMENT WWW.HARDWARIO.COM	CHESTER-M	
	REVISION: 3.4 MODIFIED: 28.03.23 17:58	5/7



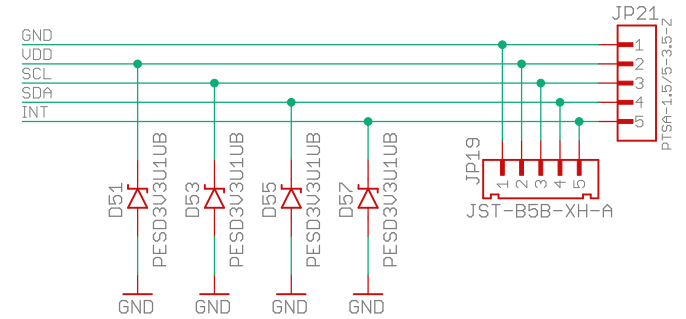
BUTTON



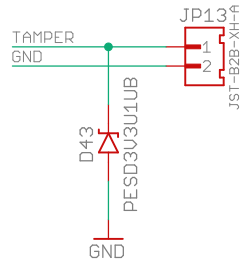
SYSTEM



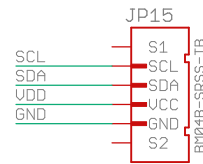
I2C



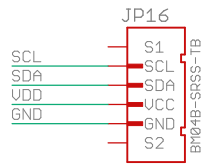
TAMPER



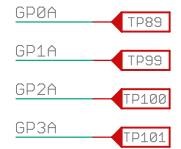
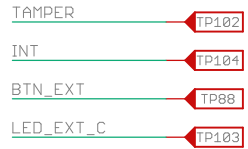
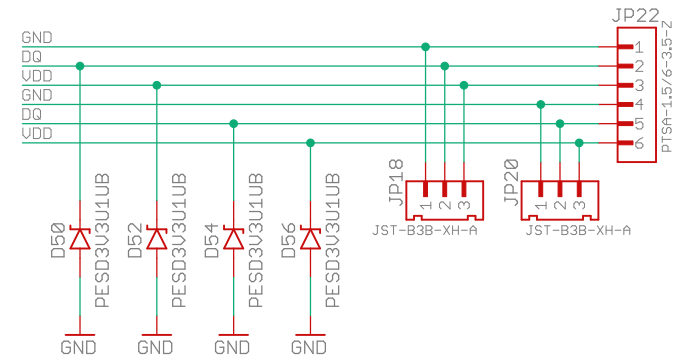
QWIIC



QWIIC



1-WIRE



HARDWARIO AGILE HARDWARE DEVELOPMENT WWW.HARDWARIO.COM	CHESTER-M	
	REVISION: 3.4 MODIFIED: 28.03.23 17:58	7/7