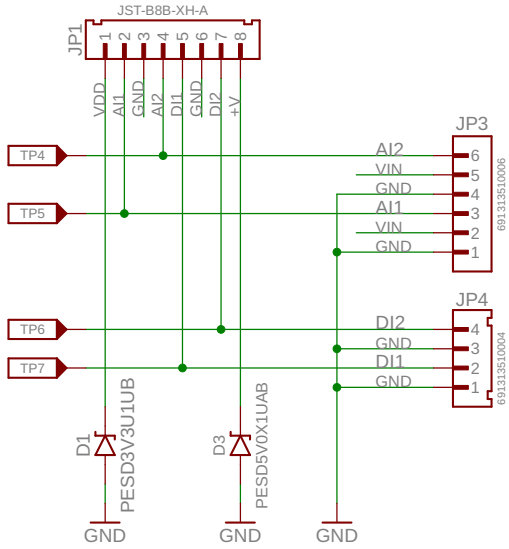
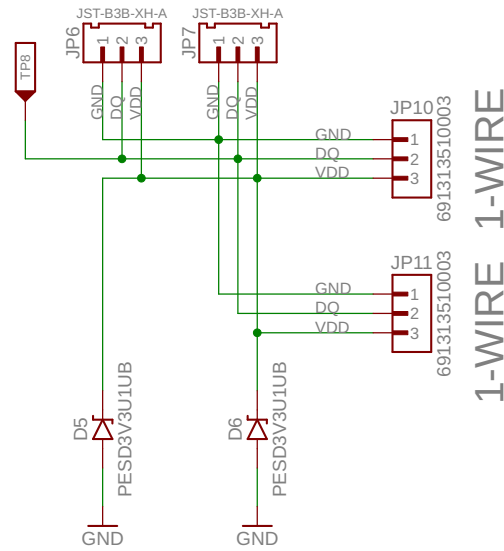


MB: CHESTER-X0



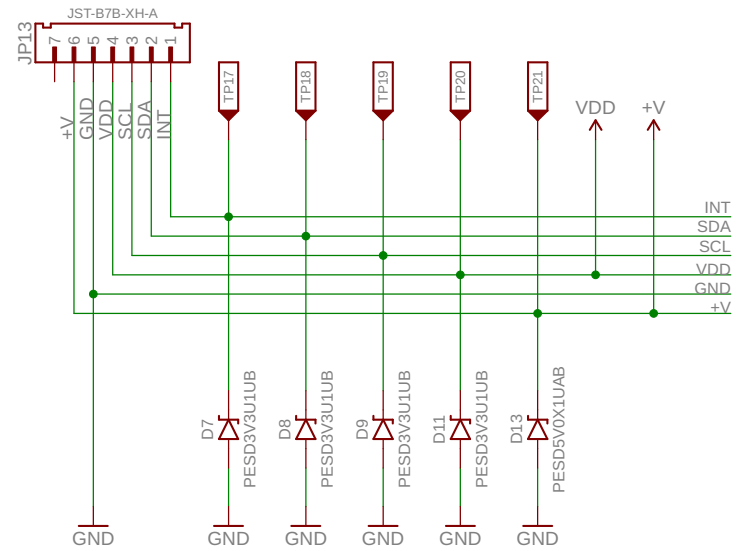
DIGITAL ANALOG

MB: 1-WIRE

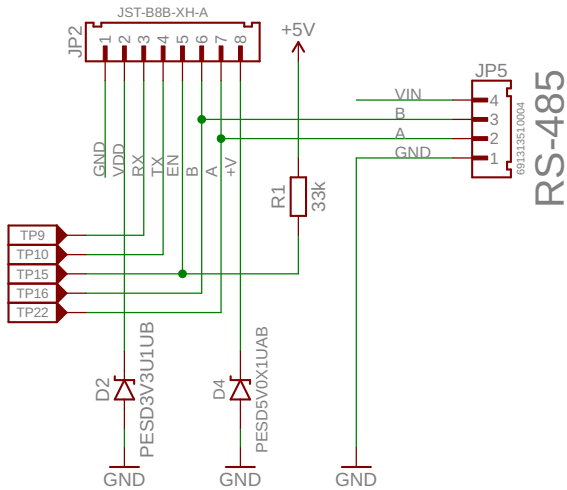


1-WIRE 1-WIRE

MB: SYSTEM

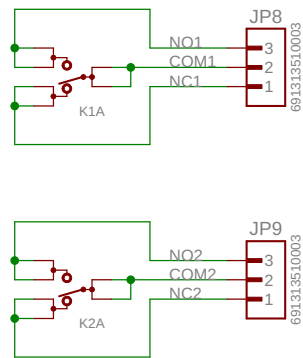


MB: CHESTER-X2



RS-485

RELAYS



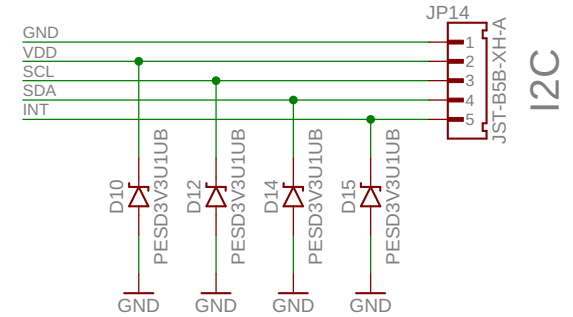
RELAY 1 RELAY 2

M-BUS MODULE

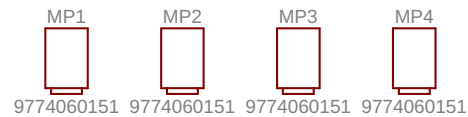


M-BUS

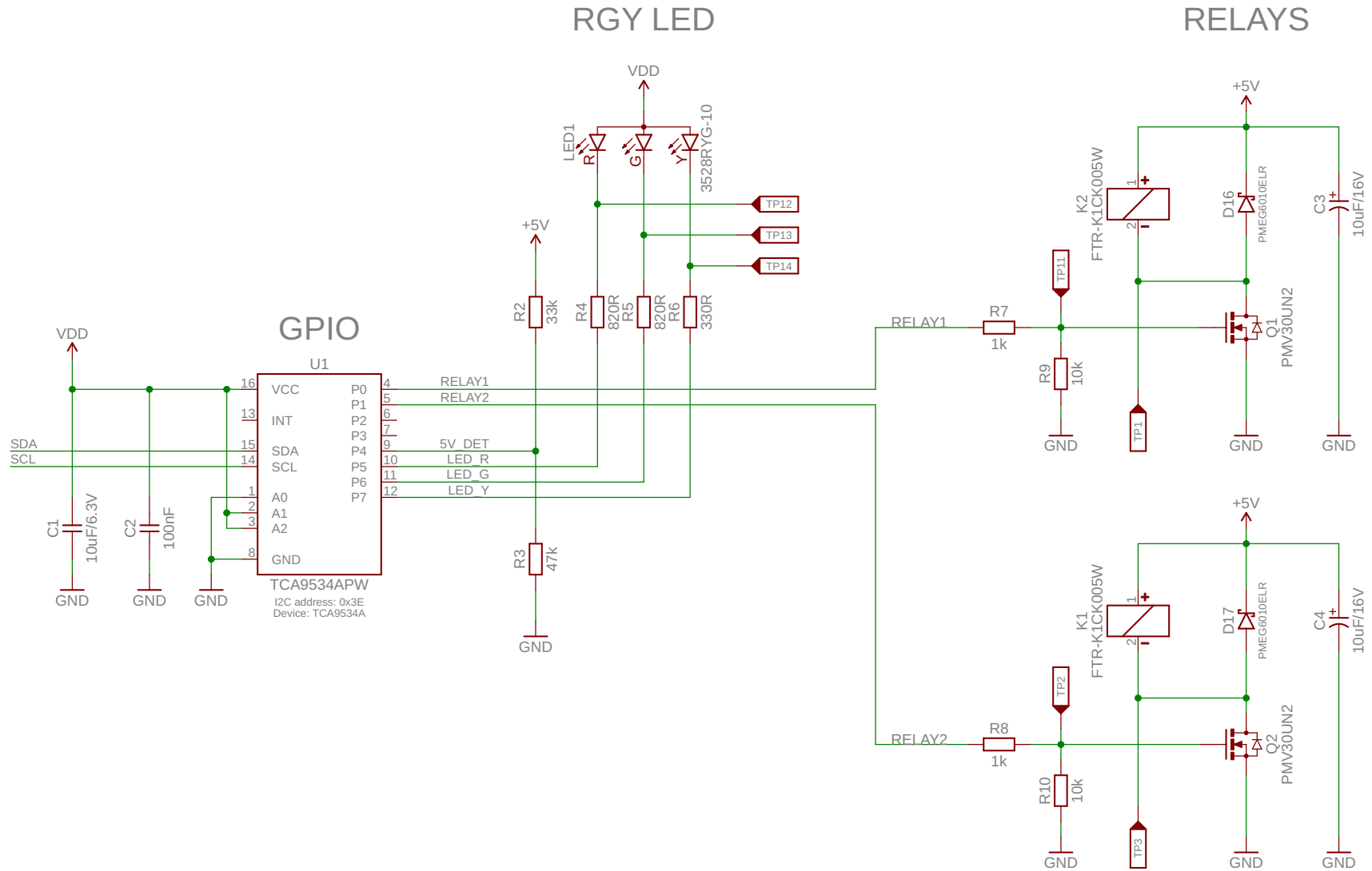
I2C



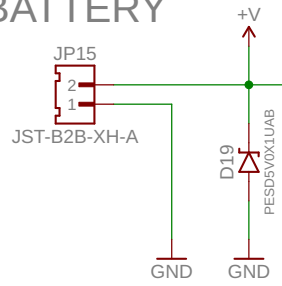
I2C



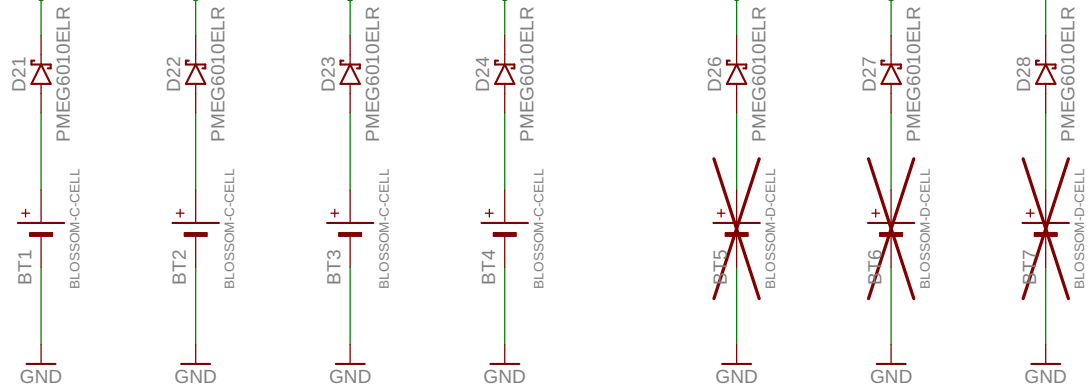
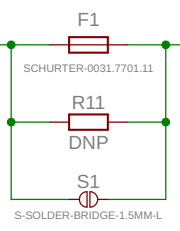
HARDWARIO AGILE HARDWARE DEVELOPMENT WWW.HARDWARIO.COM	CHESTER-C1	
	REVISION: 1.1 MODIFIED: 08.03.2023 21:03	1/3



BATTERY

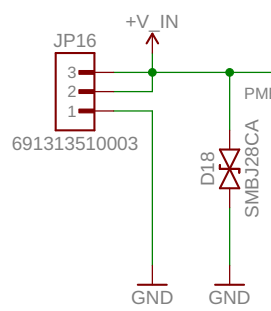


BATTERY C-CELL

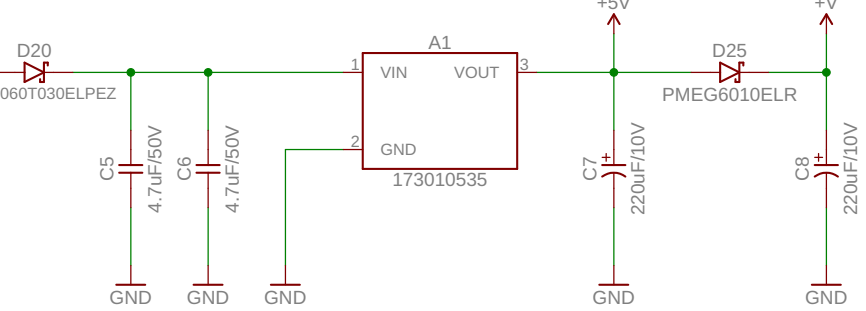


BATTERY D-CELL

PWR-IN



STEPDOWN 5V



HARDWARIO AGILE HARDWARE DEVELOPMENT WWW.HARDWARIO.COM	CHESTER-C1	
	REVISION: 1.1	MODIFIED: 08.03.2023 21:03
		3/3